

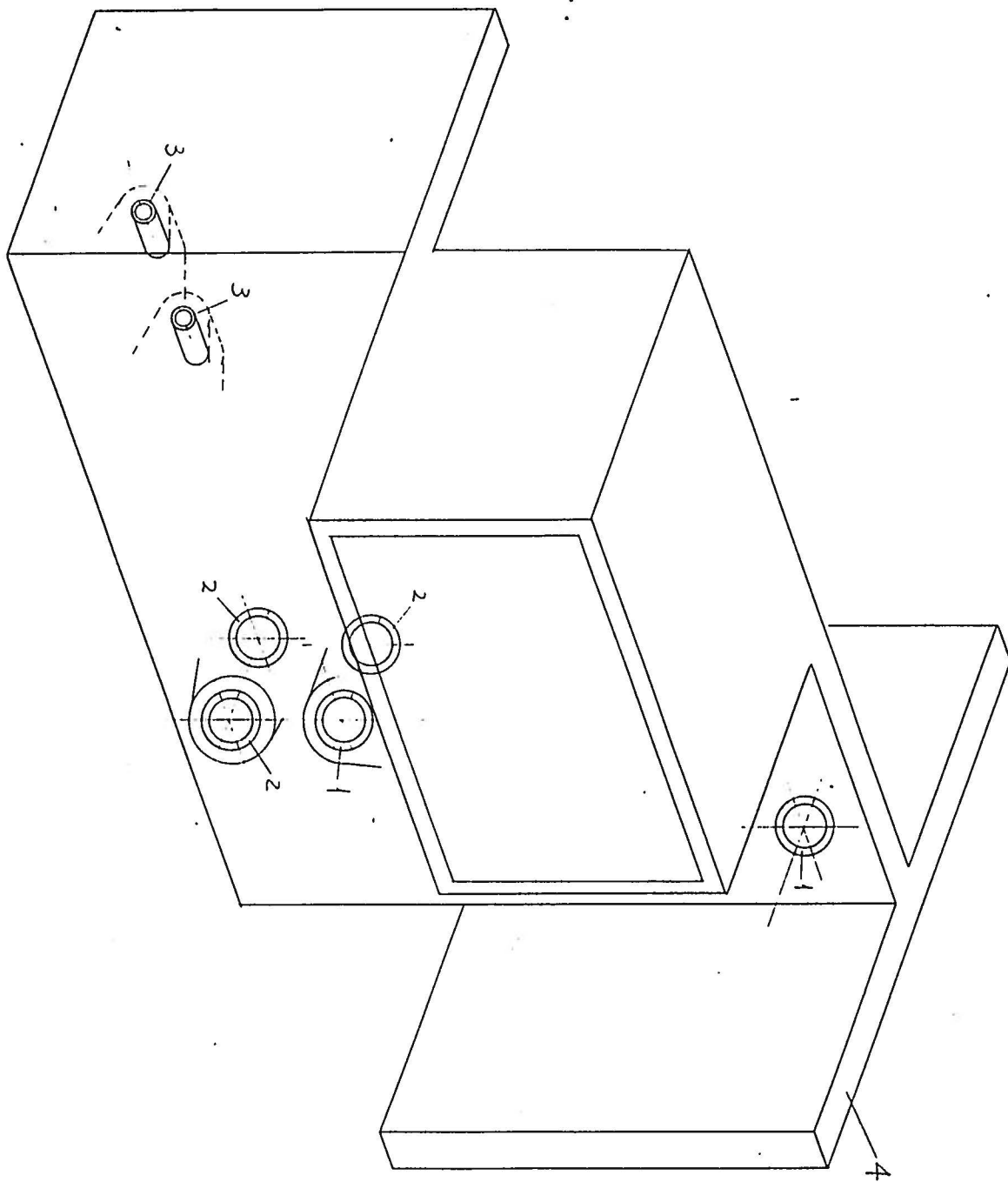
PARTS LIST

BK-12 BELTLOOP CUTTER



KANSAI SPECIAL
MORIMOTO MFG. CO., LTD.

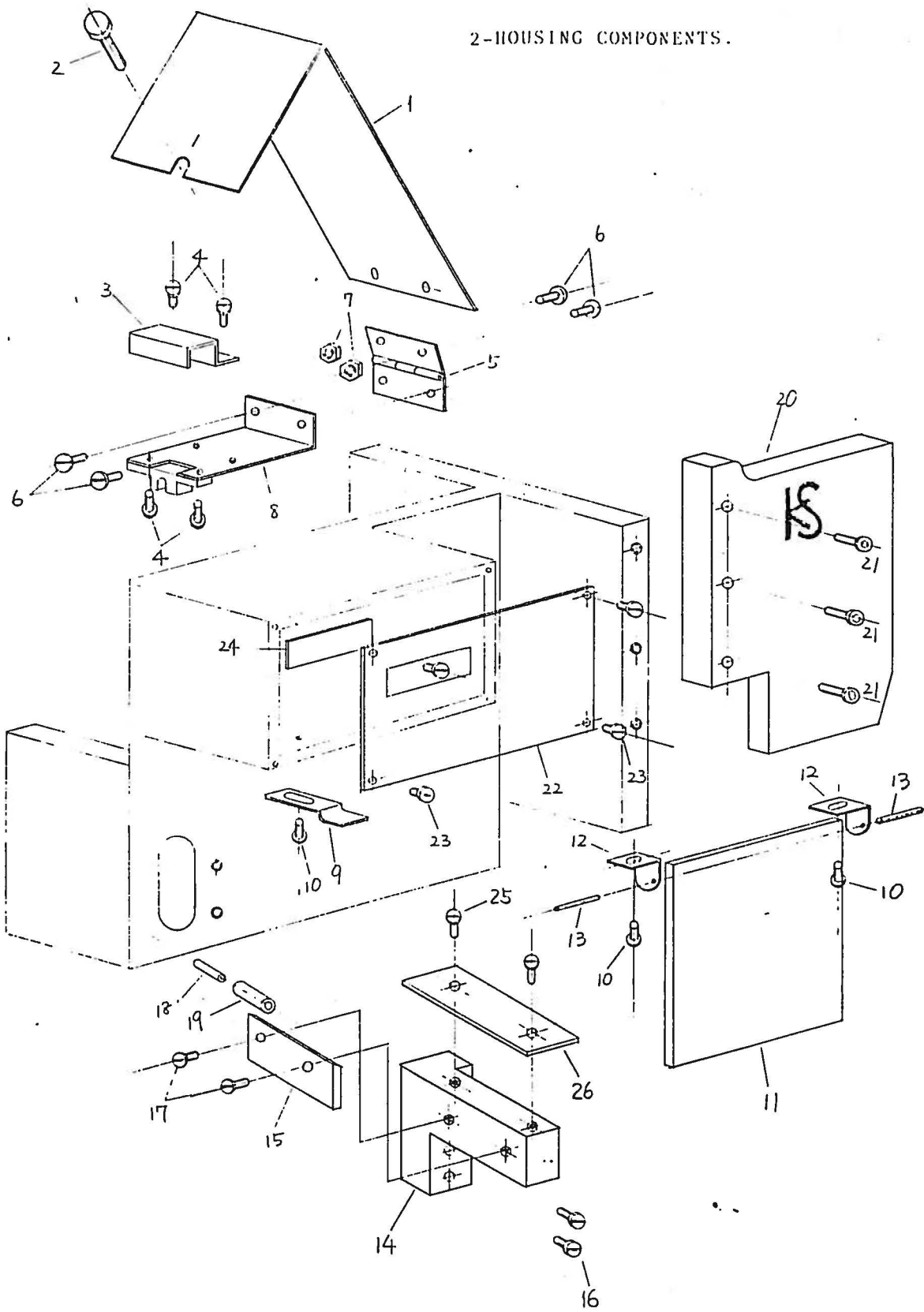
1-BUSHING, BEARING.



1-BUSHING BEARING.

REF NO	PART NO	PART NAME	Q'TY
1	52-353	bearing	2
2	52-340	bearing	3
3	81-704	bush	2
4	52-250	frame	1

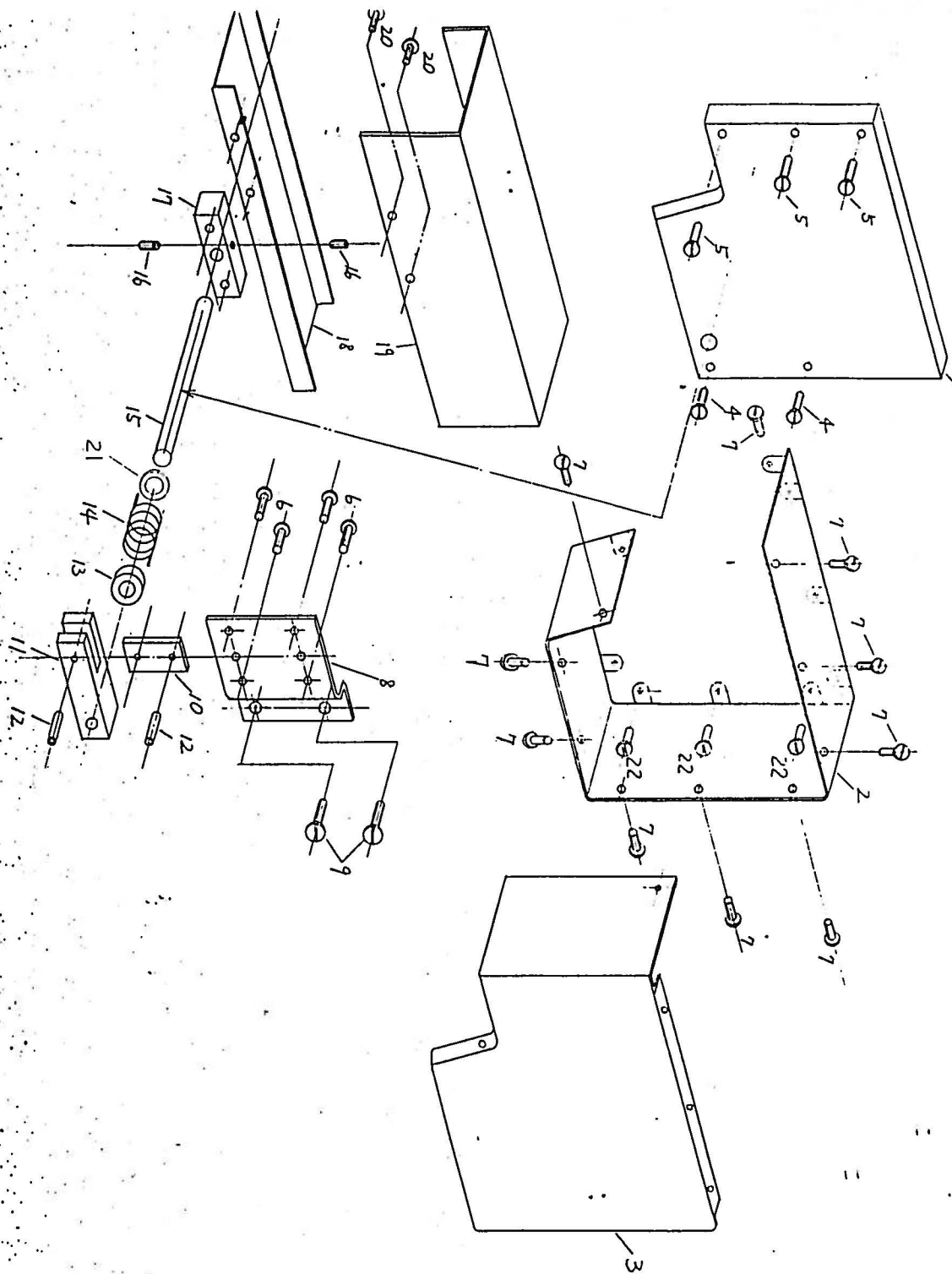
2-HOUSING COMPONENTS.



2-HOUSING COMPONENTS.

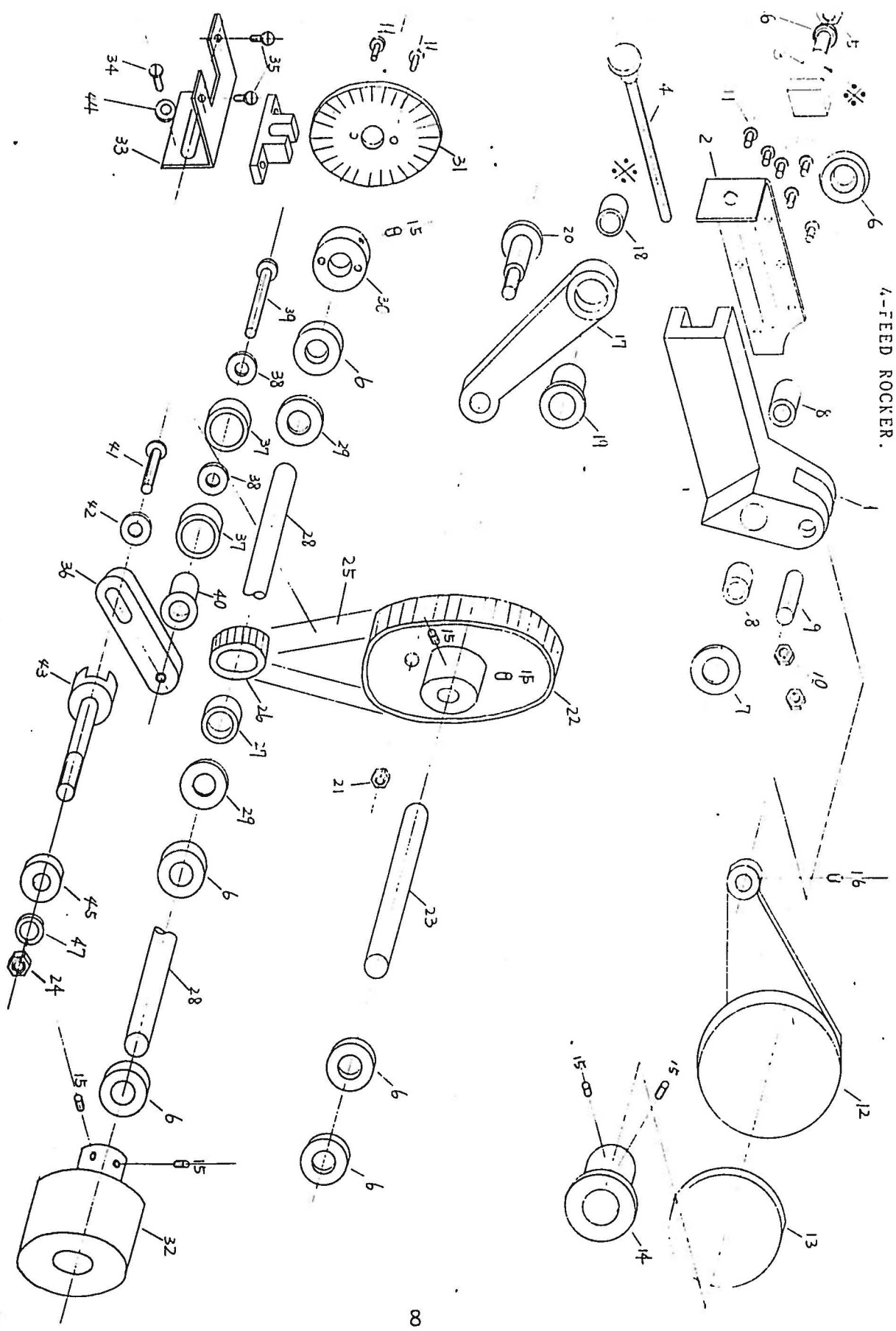
REF NO	PART NO	PART NAME	Q'TY
1	52-252	upper cover	1
2	87-205	screw	1
3	52-326	sensor cover,	1
4	87-197	screw	4
5	52-255	plate	1
6	84-574	screw	4
7	86-311	nut	2
8	52-325	sensor bracket	1
9	52-318	front cover plate spring	1
10	84-361	screw	3
11	52-316	frontcover	1
12	52-317	front cover bracket	2
13	52-339	front cover pin	2
14	52-386	lower knife base	1
15	52-288	lower knife	1
16	84-579	screw	2
17	84-664	screw	2
18	52-338	spring pin	1
19	52-379	spring pin cushion	1
20	52-380	head cover	1
21	87-171	screw	3
22	52-256	panel	1
23	84-362	screw	4
24	52-349	panel window	1
25	84-661	screw	2
26	52-387	guide plate	1

3-HOUSING SHOOTER COMPONENTS.



3-HOUSING SHOOTER COMPONENTS.

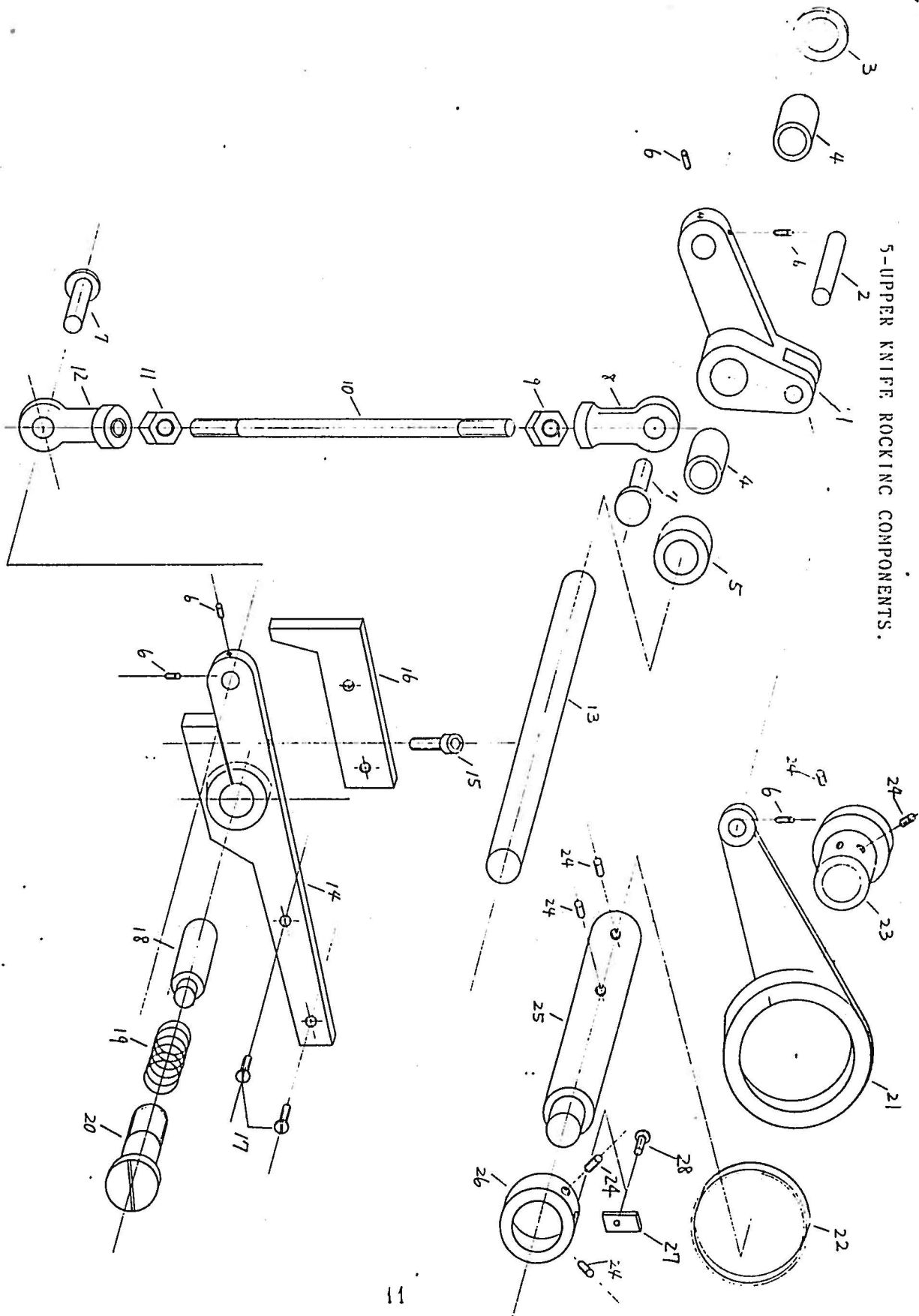
REF NO	PART NO	PART NAME	Q'TY
1	52-251	back side plate	1
2	52-253	cover	1
3	52-336	cover	1
4	84-574	screw	2
5	84-566	screw	3
6	87-198	screw	4
7	87-199	screw	10
8	52-331	solenoid bracket	1
9	84-574	screw	2
10	52-312	connecting plate	1
11	52-311	shooter drive arm	1
12	52-308	spring pin	2
13	52-314	spring adjust collar	1
14	52-313	spring	1
15	52-310	shooter shaft	1
16	84-314	screw	2
17	52-309	shooter bracket	1
18	52-307	shooter	1
19	52-352	shooter cover	1
20	84-575	screw	2
21	75-370	washer	1
22	87-197	screw	8



4-FEED ROCKER.

REF NO	PART NO	PART NAME	Q'TY
1	52-262	feed rocker arm	1
2	52-263	feed rocker arm plate	1
3	52-266	slide pin	1
4	52-365	slide pin feed screw	1
5	86-411	nut	1
6	75-130-1	collar	6
7	75-372	washer	1
8	81-704	bush	2
9	71-434	feed rocker link pin	1
10	88-157	nut	2
11	87-198	screw	8
12	52-259	main lever	1
13	52-261	bearing	1
14	52-258	feed eccentric	1
15	84-521	screw	7
16	84-314	screw	1
17	52-385	feed rocker arm	1
18	91-271	bearing	1
19	75-243	feed crank link collar	1
20	52-268	feed rocker arm end pin	1
21	86-311	nut	1
22	52-267	timing pulley (large)	1
23	52-369	timing pulley shaft	1
24	88-176	nut	1
25	52-285	timing bert	1
26	52-284	timing pulley (small)	1
27	52-281	one-way clutch	1
28	52-283	feed roller shaft (lower)	1
29	75-371	washer	2
30	52-327	slit collar	1
31	52-337	slit	1
32	52-282	feed roller (lower)	1
33	52-324	sensor bracket	1
34	87-194	screw	1
35	87-197	screw	2
36	25-129	idler bracket	1
37	91-891	bearing	2
38	75-458	washer	2
39	84-765	screw	1
40	75-165	idler collar	1
41	84-579	screw	1
42	75-467	washer	1

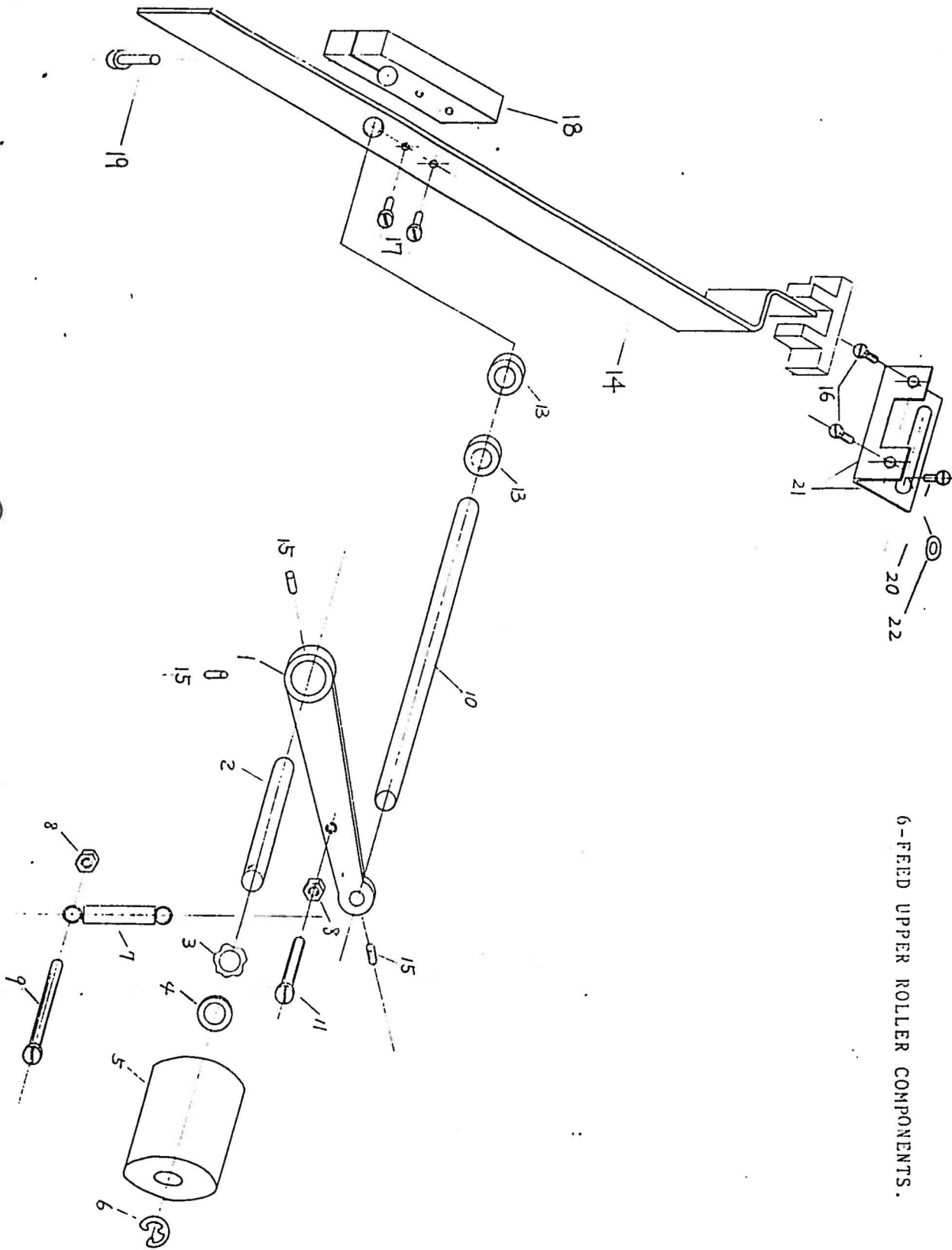
43	52-315	tension screw	1
44	75-226	washer	1
45	75-152-1	collar	1
46	75-381	washer	1
47	75-225	washer	1



5-UPPER KNIFE ROCKING COMPONENTS.

5-UPPER KNIFE ROCKING COMPONENTS.

REF NO	PART NO	PART NAME	Q'TY
1	52-270	feed rocker arm	1
2	71-434	feed rocker link pin	1
3	75-372	washer	1
4	81-704	bush	2
5	75-130-1	collar	1
6	84-314	screw	5
7	52-271	feed rocker end pin	2
8	52-272	rod end	1
9	88-176	nut	1
10	52-276	connecting bar	1
11	88-177	nut	1
12	52-273	rod end	1
13	52-277	shaft	1
14	52-274	upper knife arm	1
15	87-200	screw	1
16	52-275	upper knife	1
17	84-601	screw	2
18	52-286	upper knife shaft	1
19	79-142	spring	1
20	87-521	screw	1
21	52-259	main lever	1
22	52-261	bearing	1
23	52-258	feed eccentric	1
24	84-521	screw	6
25	52-257	main shaft	1
26	52-322	sensor collar	1
27	52-391	sensor plate	1
28	87-198	screw	1

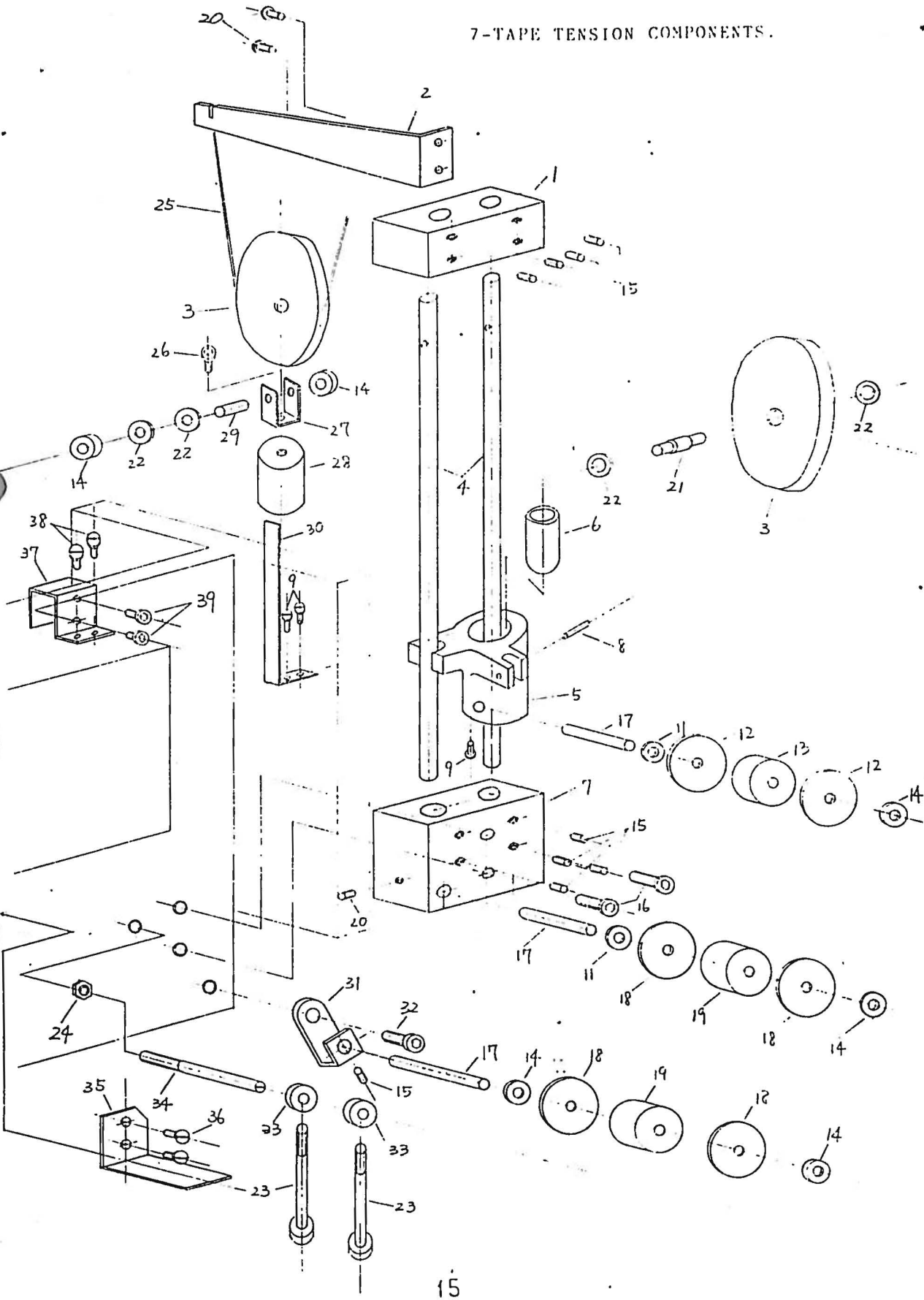


6-FEED UPPER ROLLER COMPONENTS.

6-FEED UPPER ROLLER COMPONENTS.

REF NO	PART NO	PART NAME	Q'TY
1	52-260	feed rocker arm	1
2	52-384	feed roller shaft (upper)	1
3	75-223	washer	1
4	75-372	washer	1
5	52-278	feed roller (upper)	1
6	75-222	E ring	1
7	52-373	upper roller tension spring	1
8	86-311	nut	2
9	84-577	screw	1
10	52-280	feed rocker arm shaft	1
11	84-579	screw	1
12	84-574	screw	1
13	75-221	collar	2
14	52-383	sensor bar	1
15	84-521	screw	5
16	87-197	screw	2
17	84-462	screw	2
18	52-328	sensor bar bracket	1
19	87-171	screw	4
20	87-194	screw	1
21	52-324	sensor bracket	1
22	75-226	washer	1

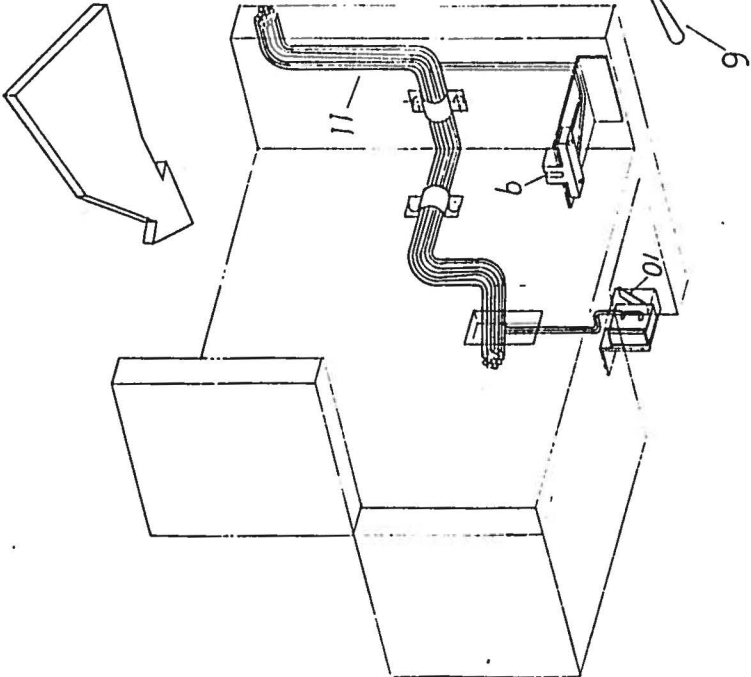
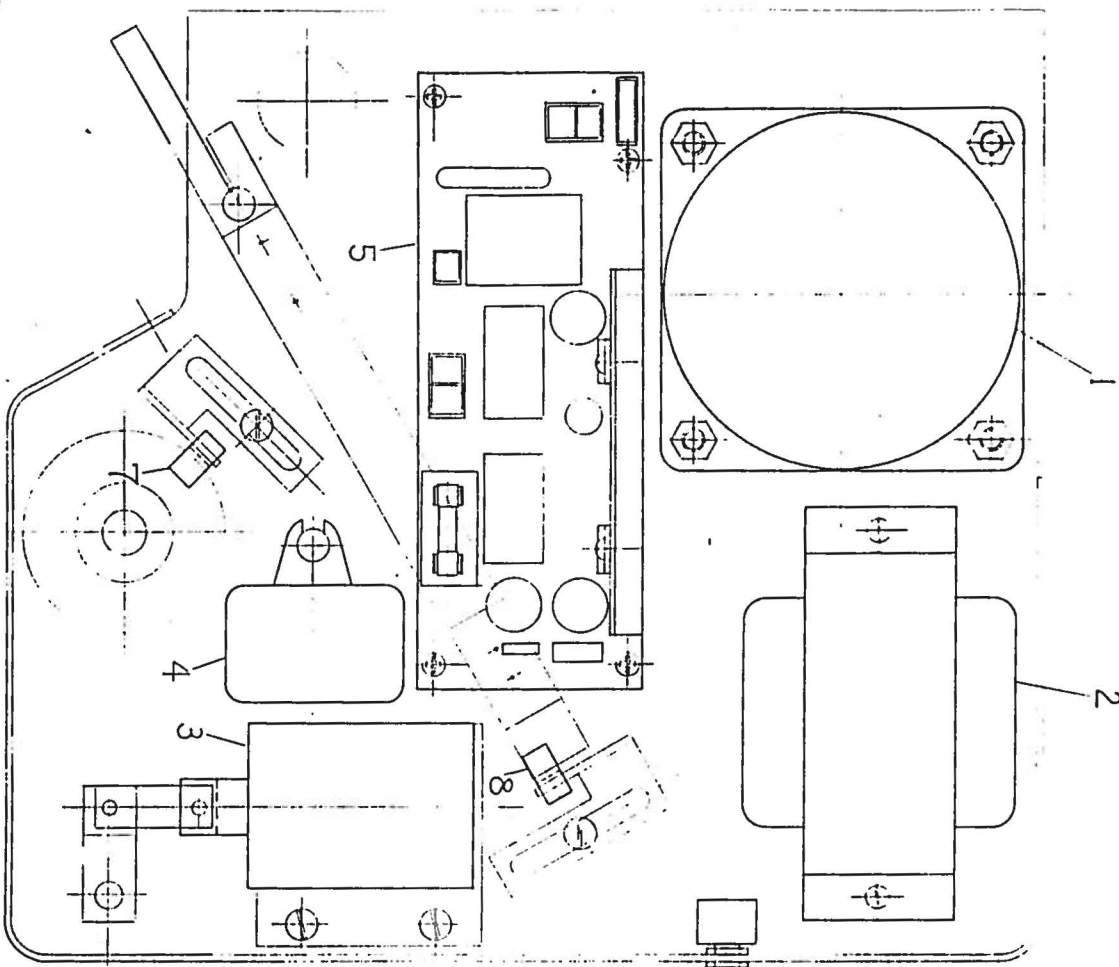
7-TAPE TENSION COMPONENTS.



7-TAPE TENSION COMPONENTS.

REF NO	PART NO	PART NAME	Q'TY
1	52-291	upper tension base	1
2	52-298	wire bracket	1
3	52-370	pulley	2
4	52-292	slide shaft	2
5	52-293	tension slider	1
6	52-299	slide bearing	1
7	52-290	lower tension base	1
8	52-305	spring pin	1
9	87-198	screw	3
10	52-302	tape guide roller shaft	1
11	75-458	tape guide roller washer	2
12	52-343	tape guide roller disk	2
13	52-301	tape guide roller	1
14	75-105-1	tape guide roller collar	6
15	84-521	screw	9
16	87-173	screw	2
17	52-344	tape guide roller	3
18	52-342	tape guide roller disk	4
19	52-300	tape guide roller	2
20	87-195	screw	3
21	52-303	pulley shaft	1
22	75-370	pulley washer	4
23	52-388	tape guide pin	2
24	88-166	nut	1
25	52-371	wire	1
26	87-113	screw	1
27	52-295	weight bracket	1
28	52-296	weight	1
29	52-304	pulley shaft	1
30	52-377	limit bar	1
31	52-389	tape guide roller stay	1
32	87-203	screw	1
33	52-334	tape guide collar	2
34	52-333	tape guide main shaft	1
35	52-332	tape pusher	1
36	84-574	screw	2
37	52-323	limit box	1
38	84-362	screw	2
39	87-202	screw	2

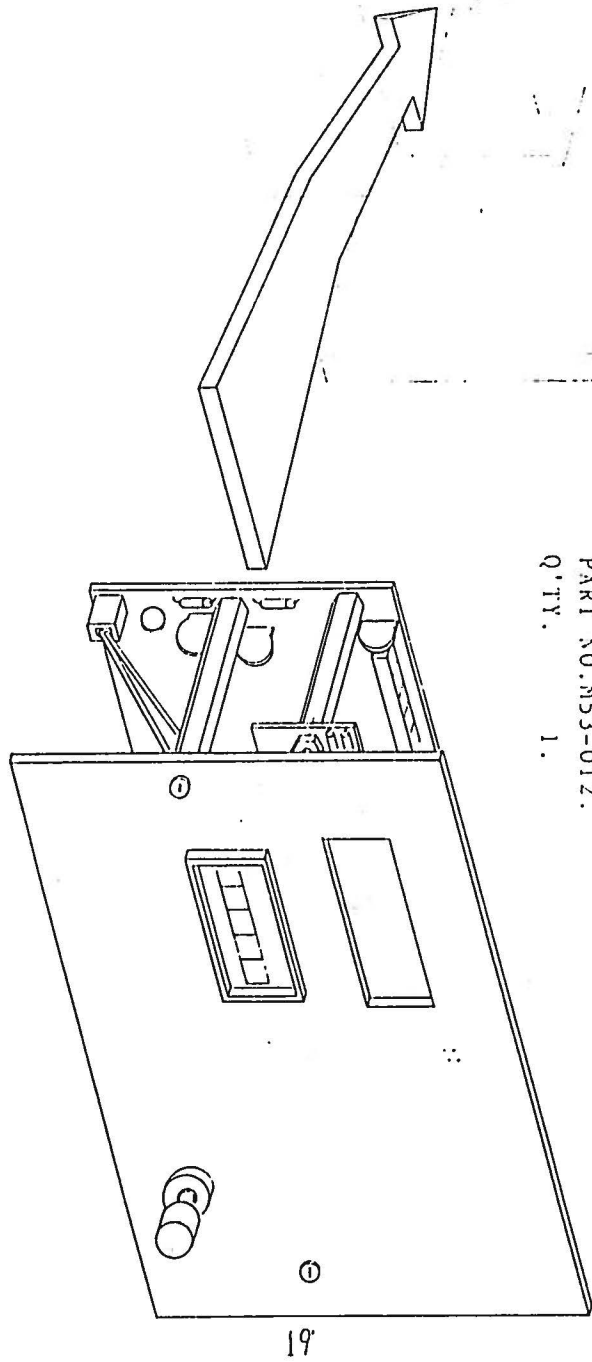
8-CONTROL SYSTEM



8-CONTROL SYSTEM

REF NO	PART NO	PART NAME	Q'TY
1	M53-001	induction motor with gear box	1
2	M53-002	transformer	1
3	M53-003	solenoid	1
4	M53-004	capacitor for induction motor	1
5	M53-005	control box sub assembly	1
6	M53-006	toggle switch	2
7	M53-007	photo-censor B	1
8	M53-008	photo censor A	1
9	M53-009	photo censor A	1
10	M53-010	limit switch	1
11	M53-011	wiring harness	1

9-CONTROL BOX MAIN ASSEMBLY



PART NO. M53-012.
Q'TY. 1.

MORIMOTO MFG. CO., LTD.

MAIN FACTORY & OSAKA OFFICE

180 Suna, Shijonawate City, Osaka 575, Japan
Tel: (0720) 78-1177, 77-1221~1227

TOKYO OFFICE

16-7, 5-chome, Kotobashi, Sumida-ku,
Tokyo 130, Japan
Tel: (03) 635-5121

OKAYAMA OFFICE

Bireggi Okuda (1F), 24-19, Okuda-honmachi,
Okayama 700, Japan
Tel: (0862) 32-9120

KANSAI SPECIAL USA

51 Romeo Street, Moonachie, NJ 07074 U.S.A.
Tel: (201) 460-0350
Telex: 219449 (KSPC UR)

MORIMOTO MFG. (HK)

C-2 22nd Floor, Pearl City Mansion,
Paterson Street, Hong Kong
Tel: 5 77 1631
Telex: 802 83919

MORIMOTO MFG. (S)

605A Macpherson Road, #08 07, Citimac Industrial Complex
Singapore 1336
Tel: 2879555, 2881230
Telex: RS 25138 A/D MMSPL

MORIMOTO INT'L (E)

Sedan Strasse 22 4000, Dusseldorf 1, W. Germany
Tel: (0211) 371141
Telex: 858 6555 KSWG D